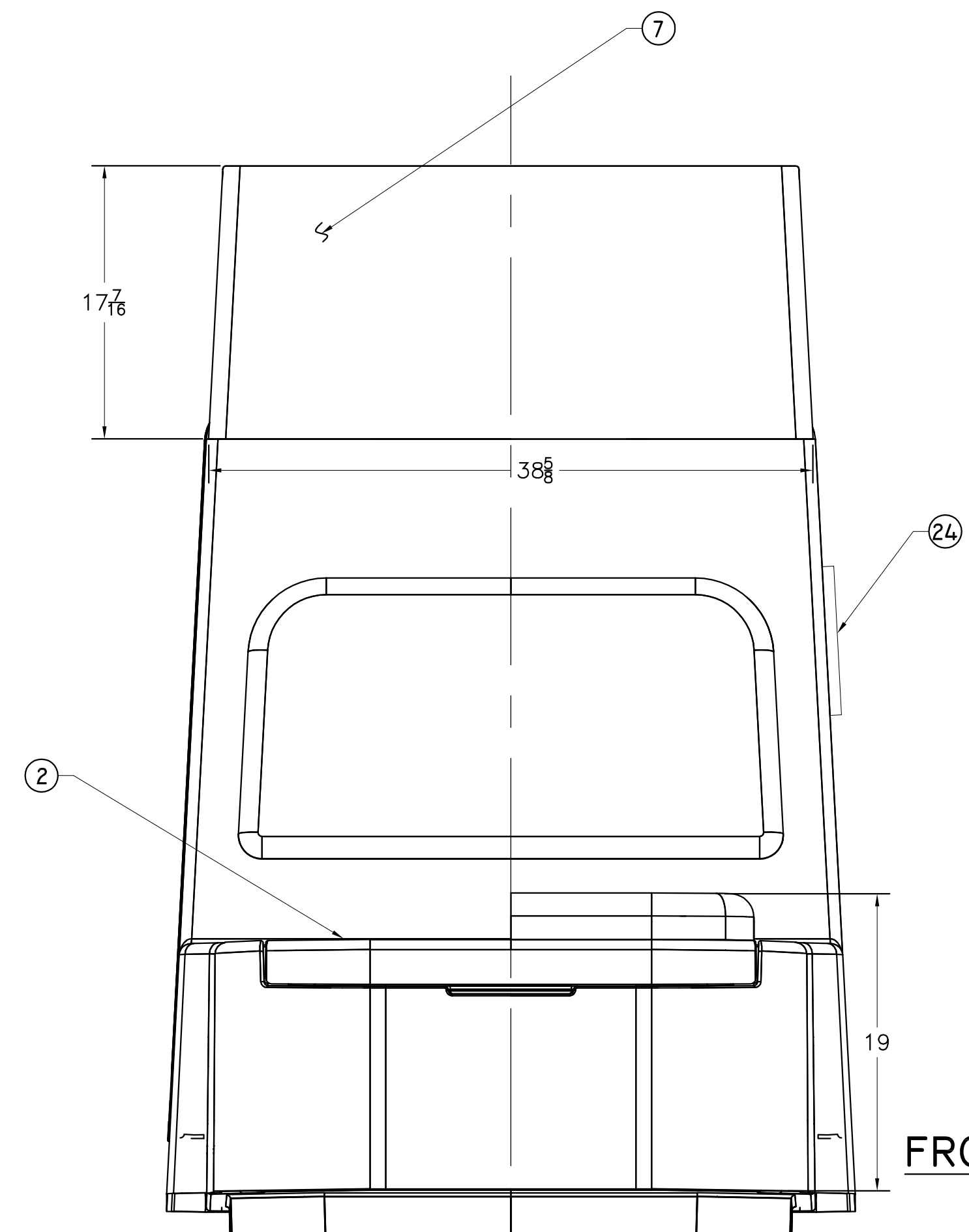
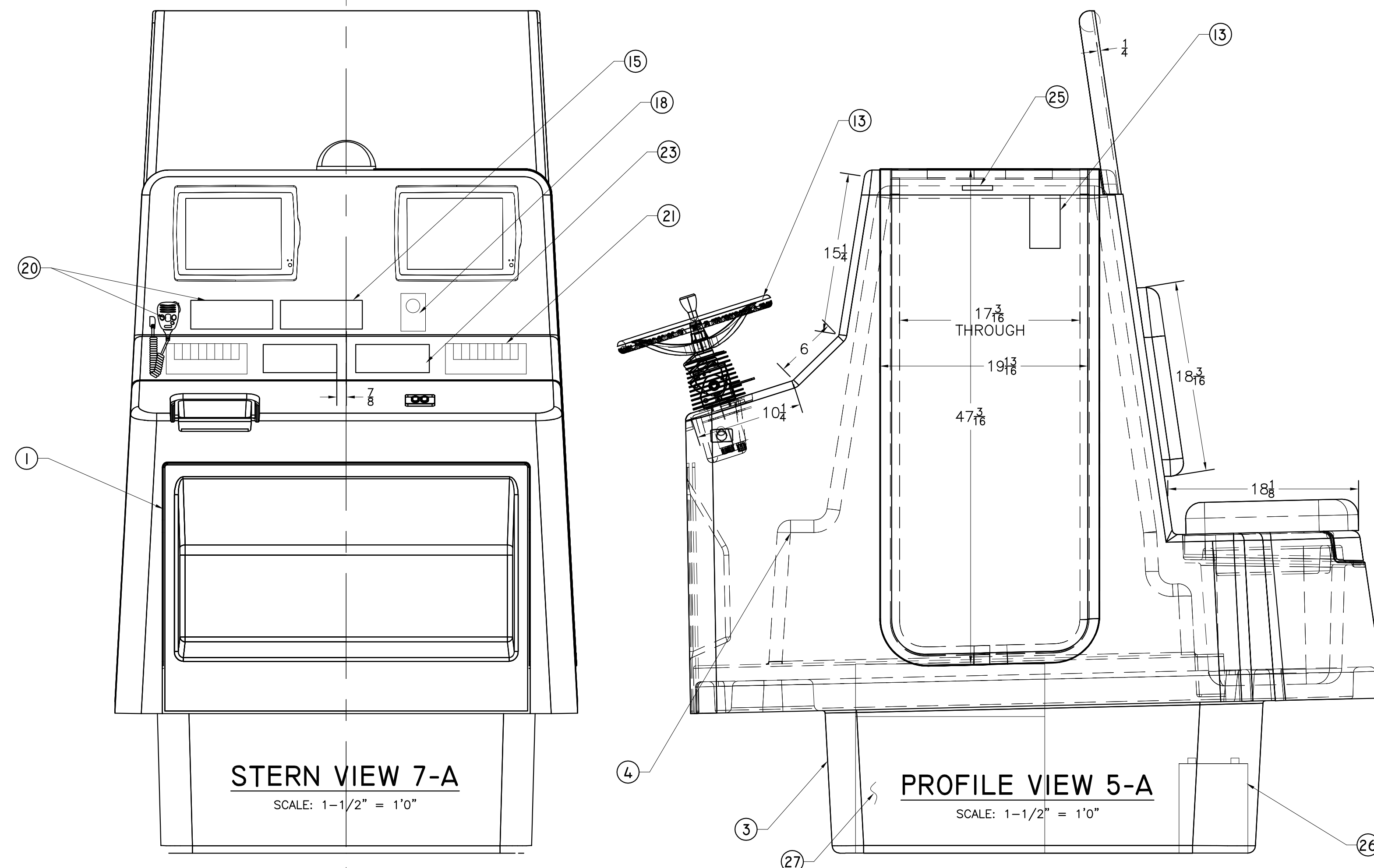


NOTES:
 1) PRIMARY EQUIPMENT ID LAYOUT SHOWN.
 2) NOT ALL COMPONENTS SHOWN IN ALL VIEWS (FOR CLARITY).
 3) ELECTRONIC EQUIPMENT LAYOUT SHOWN FOR GUIDANCE - ACTUAL INSTALLATION LOCATION MAY VARY.



26' HEAD CONSOLE HARDWARE & RIGGING

1) FOOTREST - FRP SMALL PART
2) SEAT LID - FRP SMALL PART
3) LOWER PAN - FRP SMALL PART
4) HEADLINER - FRP SMALL PART
5) SIDE DOOR FRAME - ALUMINUM EXT.
6) SIDE DOOR - ACRYLIC - BIFOLD
7) WINDSHIELD - ACRYLIC - GREY
8) GLOVEBOX LID - ACRYLIC
9) SIDE DOOR LOCK - SOUTHCO, OMNI
10) SEAT PIANO HINGE 20" - MC# 13795A136
11) SEAT CUSION BOTTOM
12) SEAT CUSHION TOP
13) HELM UNIT - TILT - EDSON WHEEL
14) HELM BINNACLE - DIGITAL DUAL OPT
15) STEREO
16) 12 VOLT OUTLET
17) COMPASS
18) KEY SWITCH
19) TRIM TAB SWITCH - LENCO
20) VHF
21) 12V SWITCH PANEL - BLUE SEAS (8)
22) SIDE DOOR LID
23) YAMAHA CLP DISPLAY - (DUAL ENG)
24) PORTLIGHT, SS, OVAL
25) DOME LIGHT, LED, SURFACE MNT
26) 12V BATTERY (2 EA GRP 32 OR 24)
27) PORTA-POTTY (OPTION)

FRONT VIEW 3-A
 SCALE: 1-1/2" = 1'0"

PREPARED FOR STUART BOATWORKS 4511 SE COMMERCE AVE, STUART, FL 34997 	VESSEL / PROJECT STUART BOATWORKS 26 HEAD CONSOLE	THE COPY AND ANY COPY THEREOF ARE STRICTLY CONFIDENTIAL AND REMAIN THE SOLE AND EXCLUSIVE INTELLECTUAL PROPERTY OF OCEANS INC. ANY CHANGES, PUBLICATION, OR UNAUTHORIZED USE IS PROHIBITED UNLESS APPROVED BY OCEANS INC.	CUSTOMER STUARTBOATWORKS
	CUSTOMER APPROVED BY _____ DATE _____ CLASS APPROVED BY _____ DATE _____ SOLICITATION NUMBER _____	PREPARED J. CANADA DATE 3/04/2014 CHECKED R KOVALSKI DATE 3/04/2014 APPROVED _____ DATE _____	SIZE D DESCRIPTION HEAD CONSOLE HARDWARE & RIGGING
OCEANS5 INC. ©2014	SCALE 1"=1'0" MASS (WEIGHT) _____ LBS	DATE 03/04/2014	ESWS# 600 DWG NO. STU26-610-601 REV - SHEET 1/1